

# HANNA'S RED EXPRESS PROGRAM

The same quality cylinders shipped the very same day!

When you are in need of premium quality cylinders in a real hurry, then Hanna's **RED EXPRESS** program is your solution! We'll get your cylinders out the door, on the way, the very same day! Just note **RED EXPRESS** on your purchase order and we'll do the rest.

## Program Qualifications\*

- Hydraulic Connections must receive your order no later than 11:00 AM central standard time.
- All mounting styles available except MS3, MS7, MT1, MT2, MT4, MP3, & MPU3.
- 3 cylinders maximum per order.
- 60.00" maximum stroke length.
- No stop tubes.
- NPT or SAE ports — standard locations.
- Standard catalogued rod ends.
- Standard catalogued seal options.
- Single rod configurations only.
- Cushions in standard locations.

## RED EXPRESS Cylinder Availability

Hydraulic Cylinders		
Series 2H Heavy Duty	1.50" ~ 4.00" Bore	First 2 rod sizes for each bore
Series 3L Medium Duty	1.50" ~ 4.00" Bore	First 2 rod sizes for each bore

Pneumatic Cylinders		
Series 3A Heavy Duty	1.50" ~ 4.00" Bore	First 2 rod sizes for each bore
Series 3AN Non-Lube	1.50" ~ 4.00" Bore	First 2 rod sizes for each bore

## Authorized Distributor



2848 Interstate Parkway  
Brunswick, OH 44212

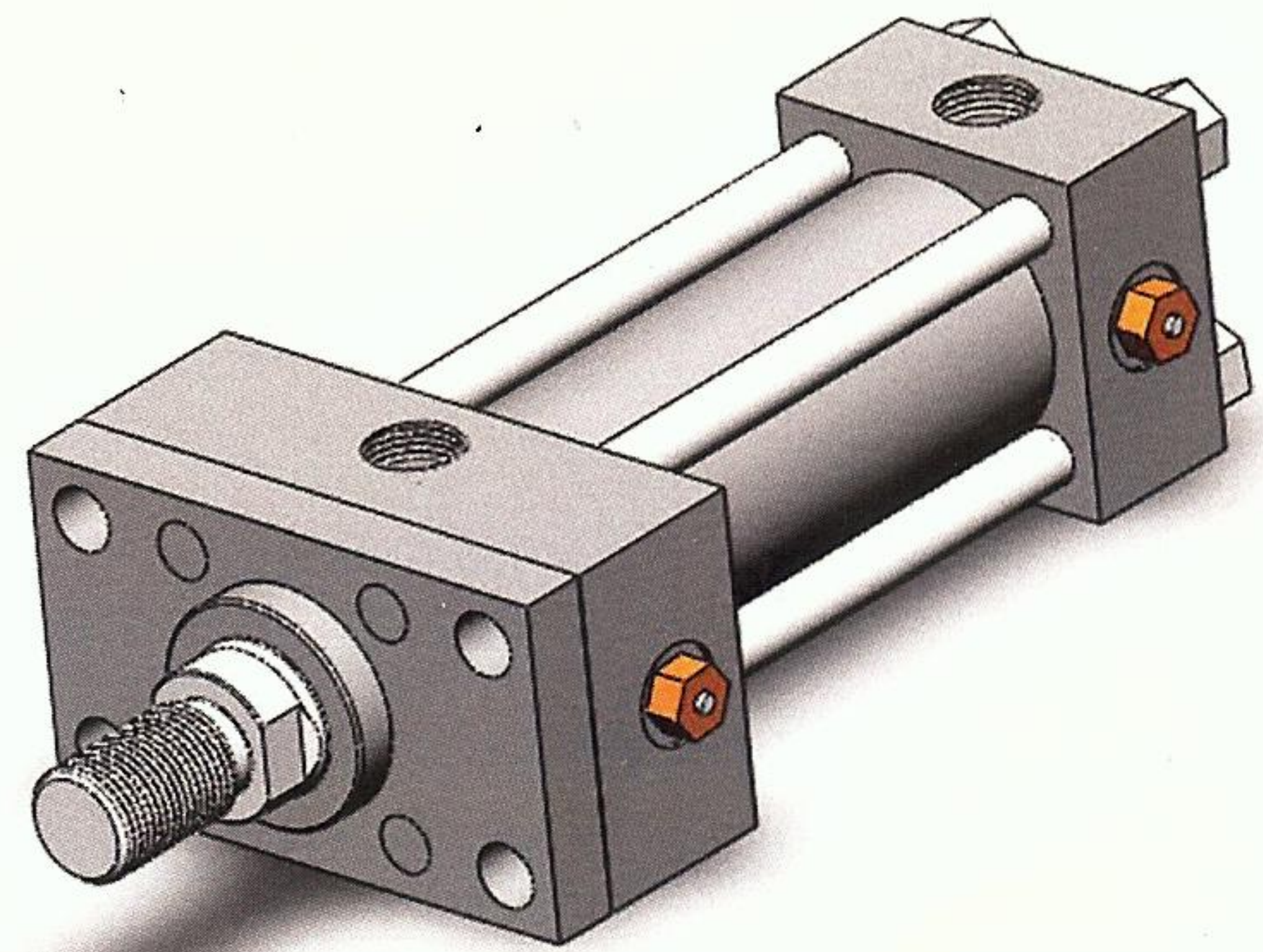
HARRY DOWCZEK  
MARY K. DOWCZEK

Phone: 330-273-5180  
Toll Free: 888-273-5180  
FAX: 330-273-9889  
Email: [hydconn@aol.com](mailto:hydconn@aol.com)  
[www.hydraulic-connections.com](http://www.hydraulic-connections.com)





**HOT PRICE!!!  
HOT DELIVERY!!**



**HANNA'S 3 DAY DELIVERY PROGRAM**  
Premium quality cylinders without the wait!

When you are in need of premium quality cylinders without the premium price tag, then Hanna's **3 DAY DELIVERY** program is your answer. We'll get your cylinders out the door, on the way, within 3 days. Just note **3 DAY DELIVERY** on your purchase order and we'll do the rest.

**We Can Interchange Any Competitor's Cylinder!**

Series	Bore Sizes	Rod Sizes	Mounts	Delivery
2H	1.50" ~ 4.00"	All catalogued	All**	3 days
3L	1.50" ~ 4.00"	All catalogued	All**	3 days
3A	1.50" ~ 4.00"	All catalogued	All**	3 days
3AN	1.50" ~ 4.00"	All catalogued	All**	3 days

\*\* Excludes the following mounts: MP3, MPU3, MT1, MT2, & MT4

Program Qualifications*	
<ul style="list-style-type: none"> <li>Lead time is quoted in business days. Orders received after 11:00 AM central standard time will be processed the following day.</li> <li>60.00" maximum stroke length.</li> <li>10 cylinders maximum per order.</li> </ul>	<ul style="list-style-type: none"> <li>NPT or SAE ports — standard locations.</li> <li>Standard catalogued seals.</li> <li>Single rod configurations only.</li> <li>Cushions in standard locations.</li> <li>No stop tubes.</li> </ul>

**Authorized  
Distributor**



2848 Interstate Parkway • Brunswick, OH 44212  
Toll Free: 888-273-5180